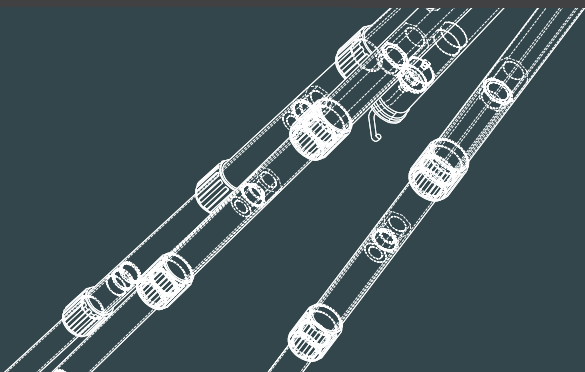


User Manual

Series : Black Diamond

Type : Tripod

Model Group: FT-Bxxxx



Faith[®]



Thank you very much for choosing Faith products.
Please read the instructions and safety guidelines carefully before using the product. Not following them may be dangerous.

About Black Diamond Series :

Black Diamond is the series for professional carbon fiber products. For more information on the series, please visit: www.faith-photo.com.

For product support and services, please contact us at:

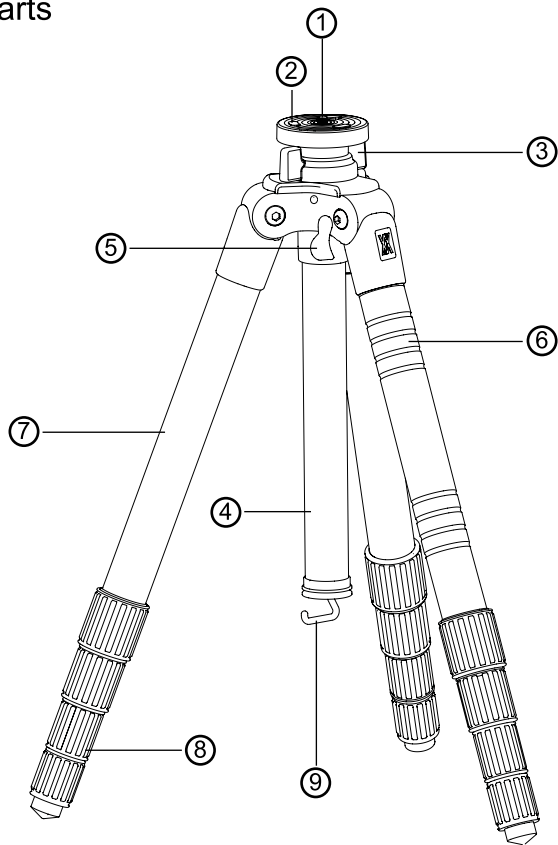
Email : csteam@faith-photo.com

WhatsApp/LINE/Signal : +852 9248 6755

Alternatively, you can send us your request using the contact forms from our website.

*Product specifications are subject to change without further notice.
While we try to provide the most accurate information, we cannot be responsible for typographical errors in this manual.

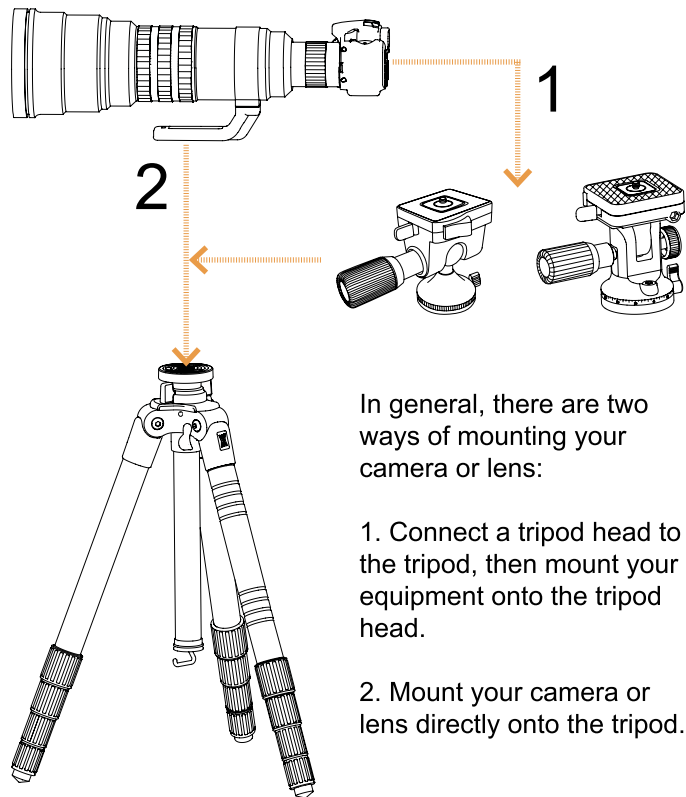
Parts



Parts - Con't

- ① Convertible Screw Thread (1/4 inch & 3/8 inch)
- ② Anti-Slip Pads
- ③ Central Column Locking Ring
- ④ Central Column
- ⑤ Leg Angle Switching Lock
- ⑥ Anti-slip Foam Grip
- ⑦ Tripod Legs
- ⑧ Leg Locking Rings (Twist Lock)
- ⑨ Weight Hook

Mounting Your Camera / Lens

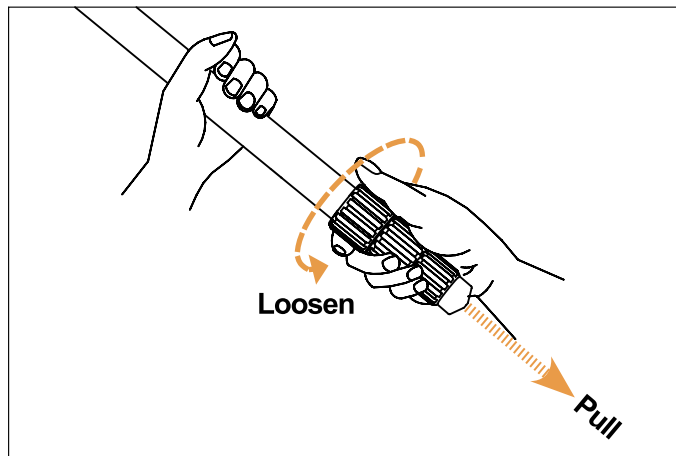


In general, there are two ways of mounting your camera or lens:

1. Connect a tripod head to the tripod, then mount your equipment onto the tripod head.

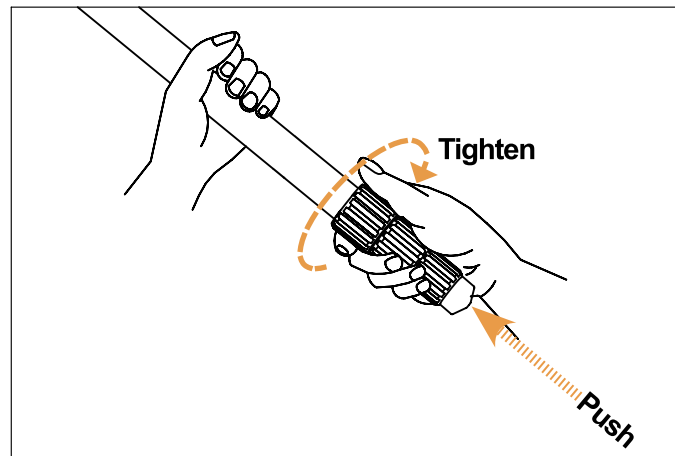
2. Mount your camera or lens directly onto the tripod.

Extending the Leg



Turn in the direction shown to loosen the *Leg Locking Ring(s)*, pull out the leg section(s) to your desired length then turn the ring(s) in the opposite direction to tighten. The anti-rotational design enables you to loosen or tighten all *Leg Locking Ring(s)* simultaneously.

Contracting the Leg



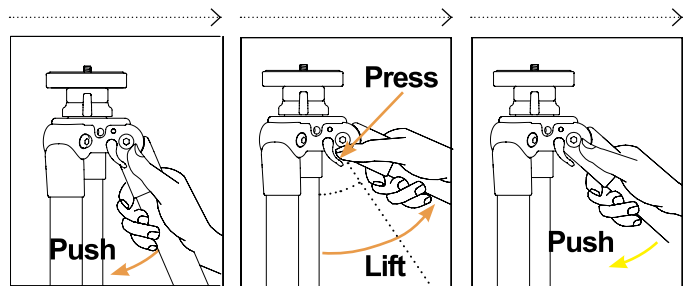
After loosening the *Leg Locking Ring(s)*, push in the leg section(s) completely or to your desired length, then turn the ring(s) in the direction shown to tighten.

Leg Angle Adjustment

This tripod has three preset angles. To adjust, use the *Leg Angle Lock*.

> For a Smaller Angle:

Simply push the *Tripod Leg* towards the *Central Column* until you hear a clear “click” sound.



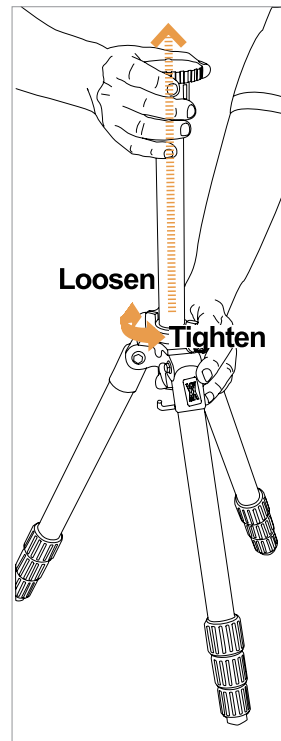
> For a Wider Angle:

Slightly push the *Tripod Leg* towards the *Central Column*, then lift the *Tripod Leg* while pressing the *Leg Angle Lock*, after reaching the desired angle, further lift up the *Tripod Leg* slightly and release the *Leg Angle Lock*, finally push the *Tripod Leg* towards the *Central Column* until you hear a clear “click” sound.

Use of Central Column

To extend the Central Column

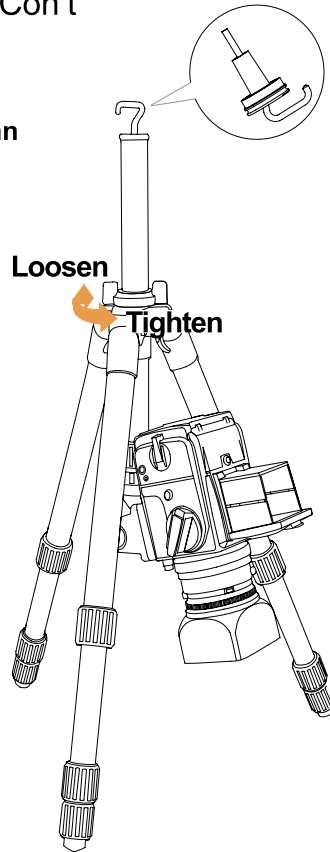
1. Loosen the *Central Column Locking Ring* by turning it anti-clockwise;
2. Pull up the *Central Column* to your desired height;
3. Tighten the *Central Column Locking Ring* to lock the position.



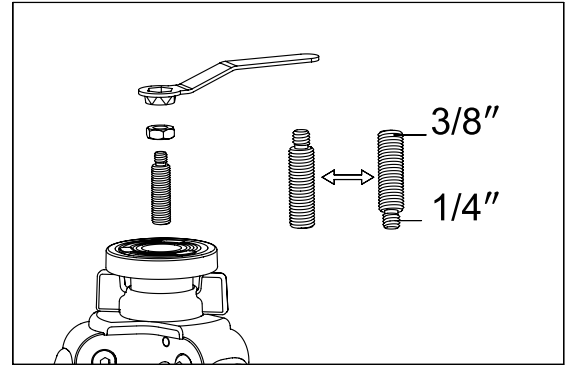
Use of Central Column - Con't

To reverse the Central Column for closeup shooting

1. Loosen and detach the *Weight Hook*;
2. Loosen and pull out the *Central Column*;
3. Reversely install the *Central Column*;
4. Tighten the *Central Column Locking Ring* and re-install the *Weight Hook*.



Changing the Screw Thread



The mounting screw is convertible between 1/4" and 3/8". To change from one to another, use the provided Wrench to loosen the screw nut, take the screw thread out and re-install it reversely, then tighten the screw nut with the Wrench to secure.

Important Notes

>Regarding the use of Faith products

All Faith products have been designed precisely to make it easy and comfortable for our customers to use, for instance, our ball head can be locked with a gentle turn of its Ball Locking Handle.

Therefore, to ensure that the products can function properly, and to avoid damaging the product parts, we strongly advise our users to avoid overtightening the locking handles or twists, too much torque could result in faster rate of degradation (wear & tear) in products, or cause some product parts to malfunction.

Safety

1. This is not a toy. Children must be properly supervised by guardian(s) / adult(s) when using the product.
2. Do not disassemble, crush, bend, deform, shred, microwave or incinerate the product or parts.
3. Do not use the product near high voltage area.
4. Avoid usage below -40°C or above 50°C .
5. Do not exceed the product's Load capacity as stated in the Specification.
6. Only qualified personnel may repair this product.
7. Do not use lubricant on the product. Any abrasive cleansing tools should be avoided.

