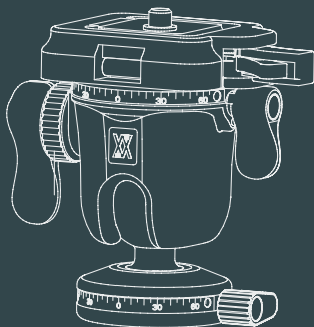


# User Manual

Series : Crossover

Type : Ball Head

Models: FH-C3310 \ FH-C3410



Faith<sup>®</sup>



Thank you very much for choosing Faith products. Please read the instructions and safety guidelines carefully before using the product. Not following them may be dangerous.

#### About Crossover Series :

Crossover is the series for travel type aluminum products. For more information on the series, please visit: [www.faitn-photo.com](http://www.faitn-photo.com).

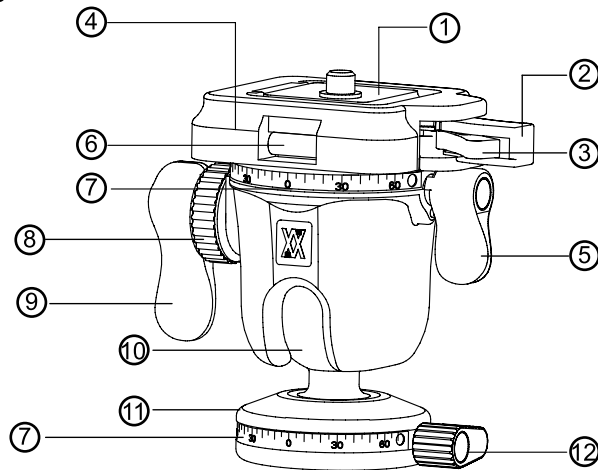
For product support and services, please contact us at:

Email : [csteam@faitn-photo.com](mailto:csteam@faitn-photo.com)  
WhatsApp/LINE/Signal : +852 9248 6755

Alternatively, you can send us your request using the contact forms from our website.

## Parts

Demonstrated Model: FH-C3310



- ① Quick Release Plate (Click Plate)
- ② Plate Locking Lever
- ③ Release
- ④ Panning Top
- ⑤ Panning Top Lock
- ⑥ Bubble Level
- ⑦ Panoramic Degree Marking
- ⑧ Friction Control
- ⑨ Ball Locking Handle
- ⑩ Ball Joint
- ⑪ Panning Base
- ⑫ Panning Base Lock

## Specifications

Model	FH-C3310	FH-C3410
Net Weight	0.33 kg	0.41 kg
Load	10.00 kg	15.00 kg
Height	8.80 cm	9.30 cm
Ball Locking Handle	Angle Adjustable	
Panning	Panning Top & Panning Base	
Opert.Temp.	-25 ~ 50°C	
Color Opt.	Black	
Bottom Thread	Switchable between 1/4 inch & 3/8 inch	

\*Product specifications are subject to change without further notice. While we try to provide the most accurate information, we cannot be responsible for typographical errors in this manual.

## About Click Plate

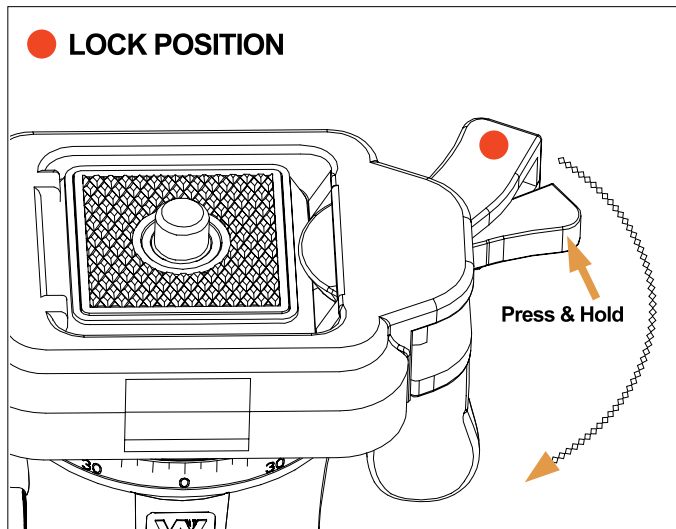
The Crossover Quick Release Plate is compatible with all Crossover Heads.

With our patented double locking system, you can mount and secure your camera or lens in just 1 second\*.

\*Tested in Faith Photo Limited's laboratory, the actual result could vary according to different operator.

## Releasing Click Plate

Demonstrated Model:  
FH-C3310



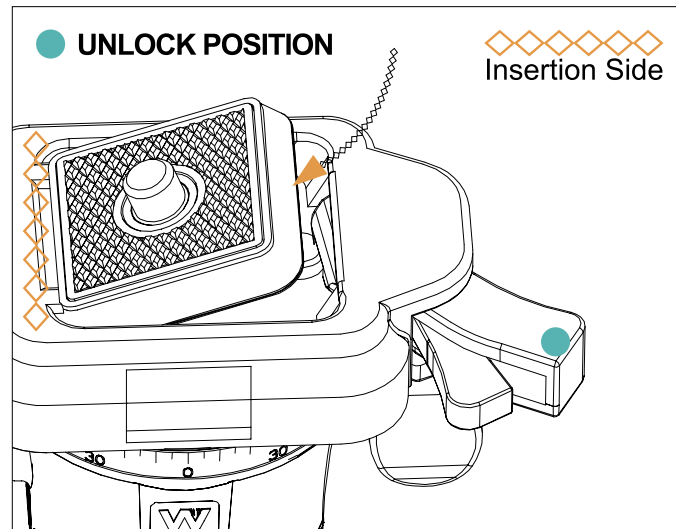
To Release:

Press the *Release* button and push the *Plate Locking Lever* to its UNLOCK position, the *Click Plate* will release itself.

\*If the *Click Plate* is already attached to the camera, please make sure to hold your camera when you release the plate. Failing to do so might result in damaging your equipment due to lack of balance and support.

## Installing Click Plate

Demonstrated Model:  
FH-C3310

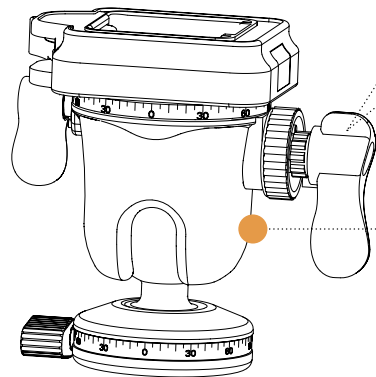


To Install / Mount you camera:

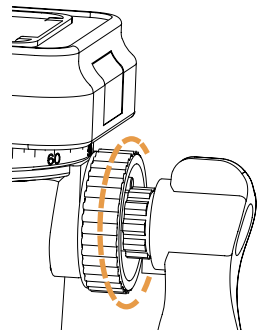
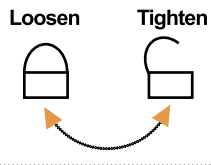
Slide any one side of the *Click Plate* into the *Insertion Side* as illustrated above, then press down the plate / camera until the plate is completely in the slot. When *Click Plate* is locked successfully, you should hear a clear “Click” sound and the *Plate Locking Lever* should return to its LOCK position.

## Ball Locking Handle & Friction Control

Demonstrated Model: FH-C3310



Use the *Ball Locking Handle* to loosen / unlock or tighten / lock the *Ball Joint*.

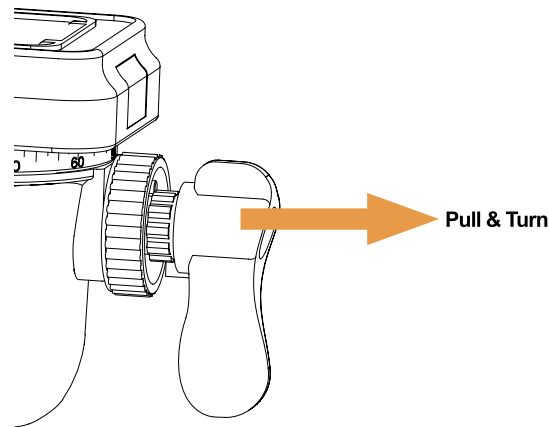


Friction can be adjusted by turning the *Friction Control* ring, simply loosen the ring to reduce friction or tighten it to increase friction.

Please make sure to hold your camera during adjustment.

## Adjusting the Angle of Ball Locking Handle

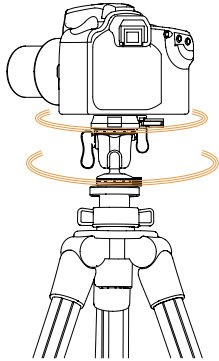
Demonstrated Model: FH-C3310



The angle of the *Ball Locking Handle* can be adjusted to suit individual preference.

To adjust, pull out the *Ball Locking Handle* in the direction shown above, keep pulling the handle and turn it to adjust, then release the *Ball Locking Handle* to complete the adjustment.

## Utilizing Ball Joint & Panning Features



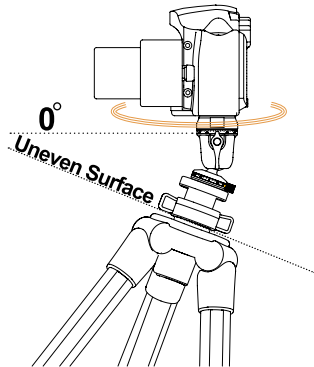
A. Both *Panning Top* and *Panning Base* can achieve 360° rotation.

Loosen the *Panning Top Lock* &/ *Panning Base Lock* for panoramic shooting.

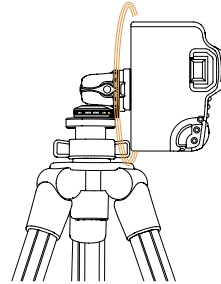
B. For horizontal panoramic shooting on uneven surface:

1. Loosen the *Ball Locking Handle* to adjust to your desired shooting angle, then tighten the *Ball Locking Handle* to lock the *Ball Joint* in place.

2. Start your panoramic shooting by as instructed in A.

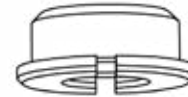


## Utilizing Ball Joint & Panning Features - Con't



C. The combination of *Ball Joint*, *Panning Top* & *Panning Base* brings you the ultimate flexibility in panoramic shooting.

## Other Info



Both 1/4 inch and 3/8 inch screw nuts are provided when you purchase Crossover Ball Head models FH-C3310 and FH-C3410, the screw nut can be uninstalled from the bottom of the ball head and interchanged with the other.

## Important Notes

### >Regarding the use of Faith products

All Faith products have been designed precisely to make it easy and comfortable for our customers to use, for instance, our ball head can be locked with a gentle turn of its Ball Locking Handle.

Therefore, to ensure that the products can function properly, and to avoid damaging the product parts, we strongly advise our users to avoid overtightening the locking handles or twists, too much torque could result in faster rate of degradation (wear & tear) in products, or cause some product parts to malfunction.

## Safety

1. This is not a toy. Children must be properly supervised by guardian(s) / adult(s) when using the product.
2. Do not disassemble, crush, bend, deform, shred, microwave or incinerate the product or parts.
3. Do not use the product near high voltage area.
4. Avoid usage below  $-40^{\circ}\text{C}$  or above  $50^{\circ}\text{C}$ .
5. Do not exceed the product's Load capacity as stated in the Specification.
6. Only qualified personnel may repair this product.
7. Do not use lubricant on the product. Any abrasive cleansing tools should be avoided.

