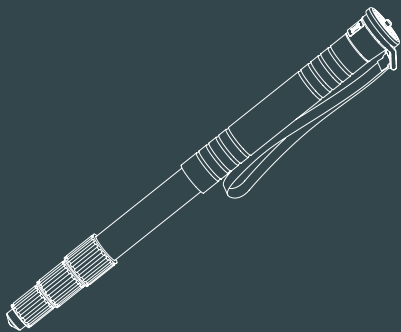


# User Manual

Series : Black Diamond

Type : Monopod (Standard)

*Model Group: FM-B0xxx*



Faith<sup>®</sup>



Thank you very much for choosing Faith products.  
Please read the instructions and safety guidelines carefully before using the product. Not following them may be dangerous.

---

#### About Black Diamond Series :

Black Diamond is the series for professional carbon fiber products. For more information on the series, please visit: [www.faith-photo.com](http://www.faith-photo.com).

---

For product support and services, please contact us at:

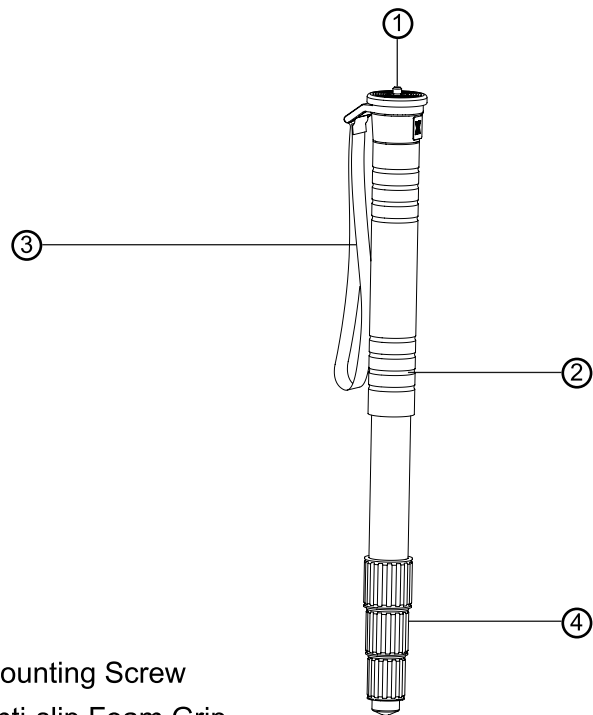
Email : [csteam@faith-photo.com](mailto:csteam@faith-photo.com)

WhatsApp/LINE/Signal : +852 9248 6755

Alternatively, you can send us your request using the contact forms from our website.

\*Product specifications are subject to change without further notice.  
While we try to provide the most accurate information, we cannot be responsible for typographical errors in this manual.

## Parts



- ① Mounting Screw
- ② Anti-slip Foam Grip
- ③ Holder Strap
- ④ Leg Locking Ring (Twist Lock)

## Specifications 1/3

Model	FM-B0451	FM-B0452	FM-B0453	FM-B0454
Type	Monopod (Twist Lock)			
Major Material	Carbon Fiber			
Net Weight	0.50 kg	0.52 kg	0.53 kg	0.54 kg
Load	27.00 kg			
Max. Height	165.5 cm	171.5 cm	176.5 cm	181.5 cm
Folded Length	52.5 cm	54.0 cm	55.5 cm	57.0 cm
Leg Sections	4			
Leg Diameter	ϕ33, ϕ29, ϕ25, ϕ21 mm,			
Opert.Temp.	-40 ~ 50°C			
Screw Opt.	1/4 inch			

\*Product specifications are subject to change without further notice. While we try to provide the most accurate information, we cannot be responsible for typographical errors in this manual.

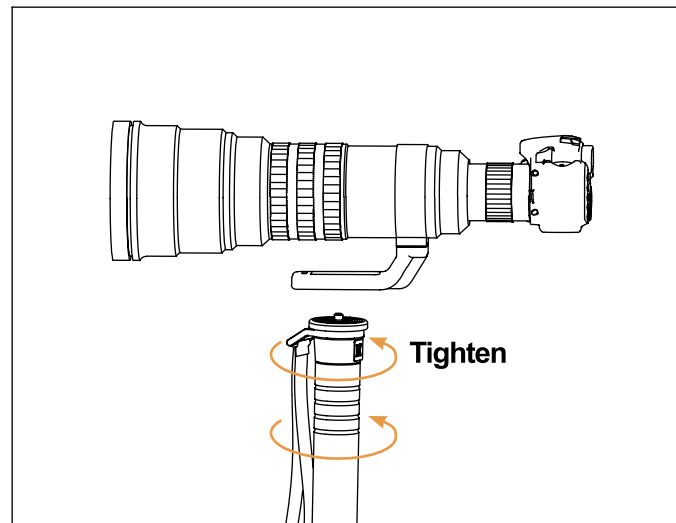
## Specifications 2/3

Model	FM-B0431	FM-B0432	FM-B0433	FM-B0434
Type	Monopod (Twist Lock)			
Major Material	Carbon Fiber			
Net Weight	0.41 kg	0.42 kg	0.43 kg	0.44 kg
Load	25.00 kg			
Max. Height	161.0 cm	166.0 cm	171.0 cm	176.0 cm
Folded Length	50.5 cm	52.0 cm	53.5 cm	55.0 cm
Leg Sections	4			
Leg Diameter	ϕ29, ϕ25, ϕ21, ϕ17 mm,			
Opert.Temp.	-40 ~ 50°C			
Screw Opt.	1/4 inch			

## Specifications 3/3

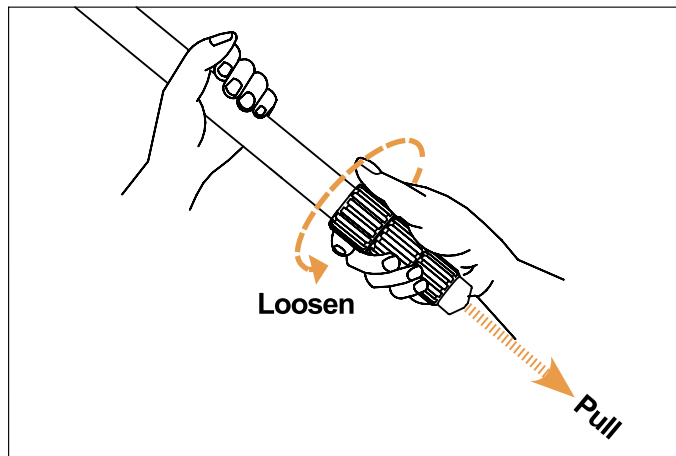
<b>Model</b>	<b>FM-B0421</b>	<b>FM-B0422</b>	<b>FM-B0423</b>
<b>Type</b>	Monopod (Twist Lock)		
<b>Major Material</b>	Carbon Fiber		
<b>Net Weight</b>	0.34 kg	0.35 kg	0.36 kg
<b>Load</b>	23.00 kg		
<b>Max. Height</b>	151.0 cm	155.0 cm	161.0
<b>Folded Length</b>	48.0 cm	49.0 cm	50.5 cm
<b>Leg Sections</b>	4		
<b>Leg Diameter</b>	φ25, φ21, φ17, φ13 mm,		
<b>Opert.Temp.</b>	-40 ~ 50°C		
<b>Screw Opt.</b>	1/4 inch		

## Mounting Your Camera / Lens



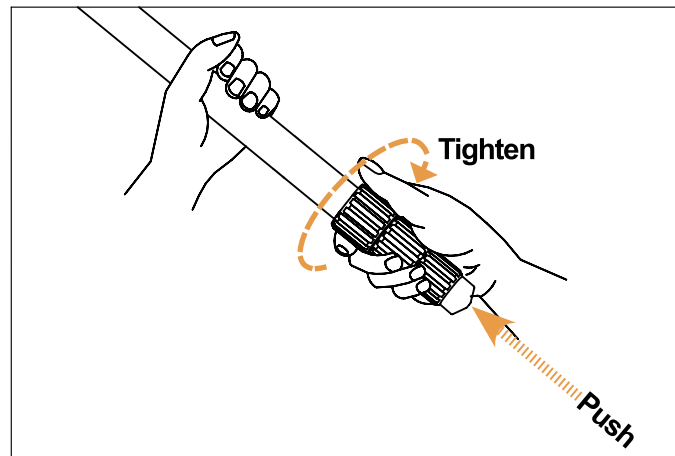
Locate your camera's screw hole or lens' connection socket, then insert the Mounting Screw into the screw hole / socket and turn the monopod until the camera / lens is firmly attached. Do not overtighten.

## Extending the Leg



Turn in the direction shown to loosen the *Leg Locking Ring(s)*, pull out the leg section(s) to your desired length then turn the ring(s) in the opposite direction to tighten. The anti-rotational design enables you to loosen or tighten all *Leg Locking Ring(s)* simultaneously.

## Contracting the Leg



After loosening the *Leg Locking Ring(s)*, push in the leg section(s) completely or to your desired length, then turn the ring(s) in the direction shown to tighten.

## Important Notes

### >Regarding the use of Faith products

All Faith products have been designed precisely to make it easy and comfortable for our customers to use, for instance, our ball head can be locked with a gentle turn of its Ball Locking Handle.

Therefore, to ensure that the products can function properly, and to avoid damaging the product parts, we strongly advise our users to avoid overtightening the locking handles or twists, too much torque could result in faster rate of degradation (wear & tear) in products, or cause some product parts to malfunction.

## Safety

1. This is not a toy. Children must be properly supervised by guardian(s) / adult(s) when using the product.
2. Do not disassemble, crush, bend, deform, shred, microwave or incinerate the product or parts.
3. Do not use the product near high voltage area.
4. Avoid usage below  $-40^{\circ}\text{C}$  or above  $50^{\circ}\text{C}$ .
5. Do not exceed the product's Load capacity as stated in the Specification.
6. Only qualified personnel may repair this product.
7. Do not use lubricant on the product. Any abrasive cleansing tools should be avoided.

